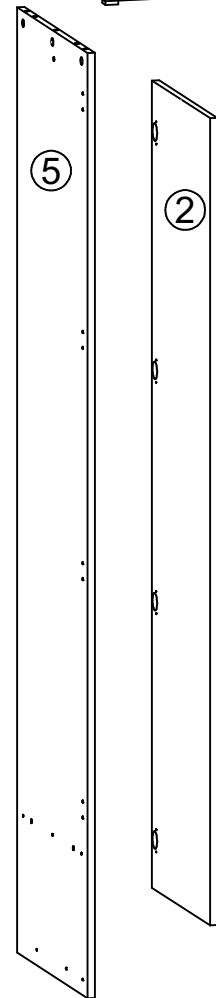
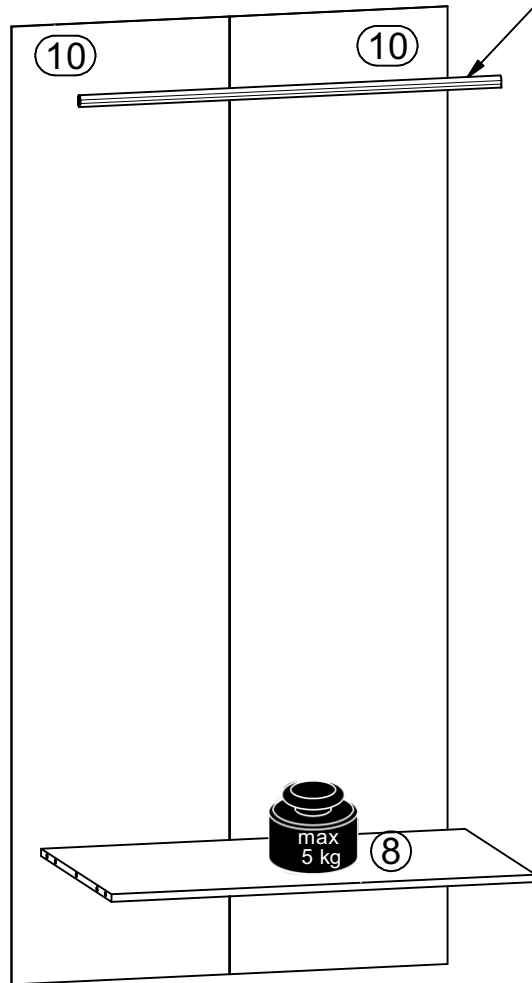
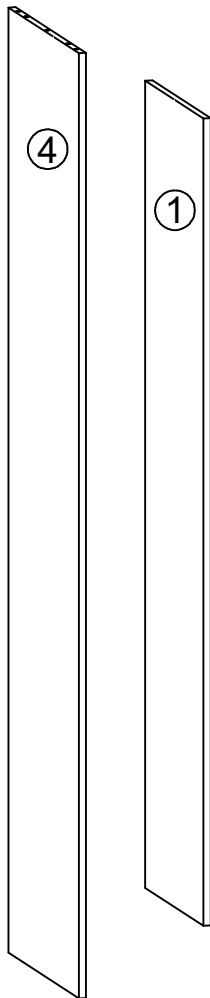
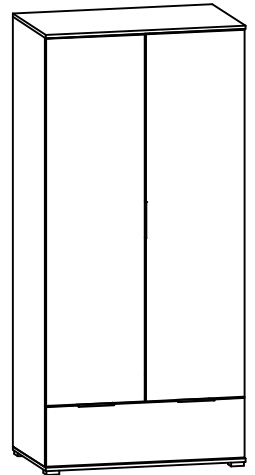
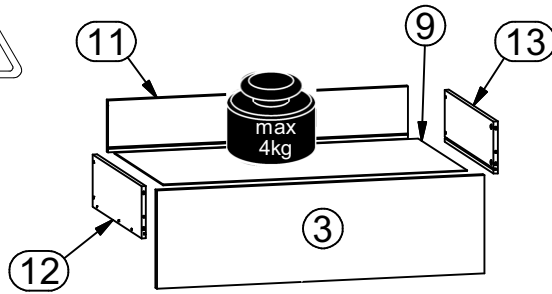
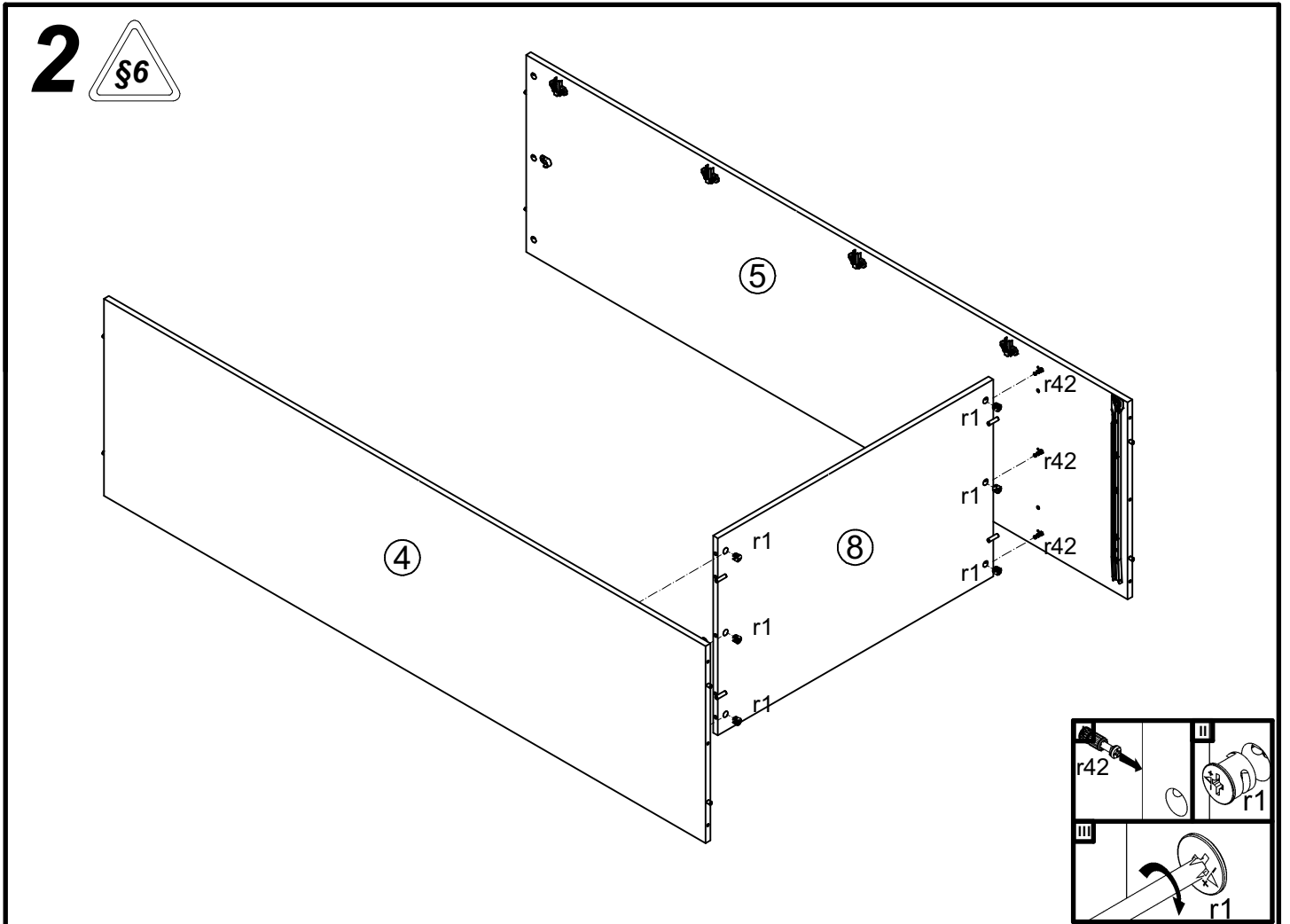
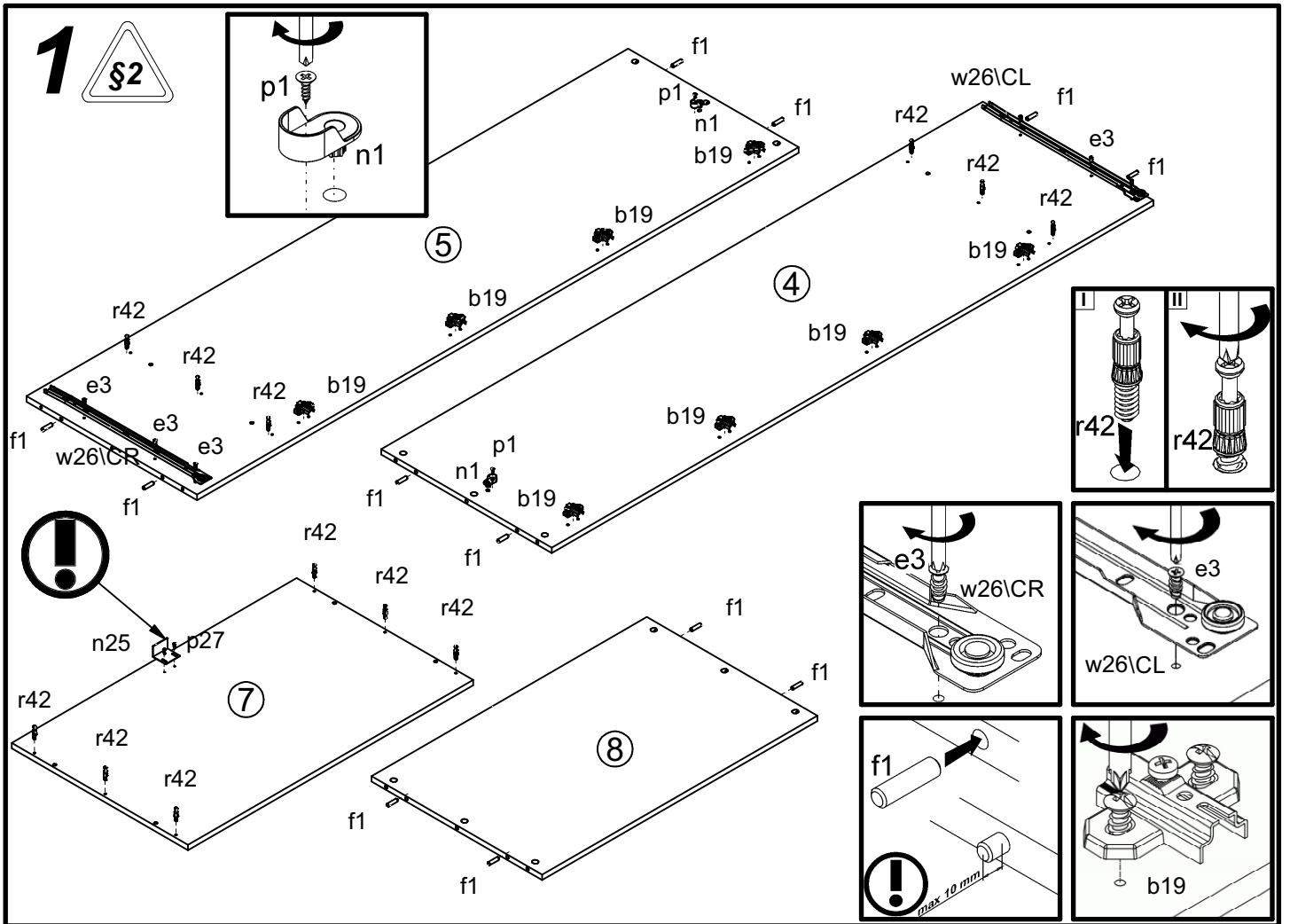


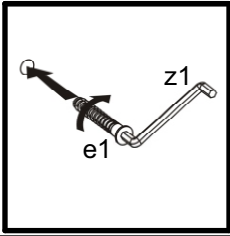
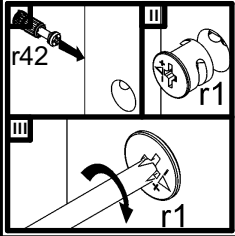
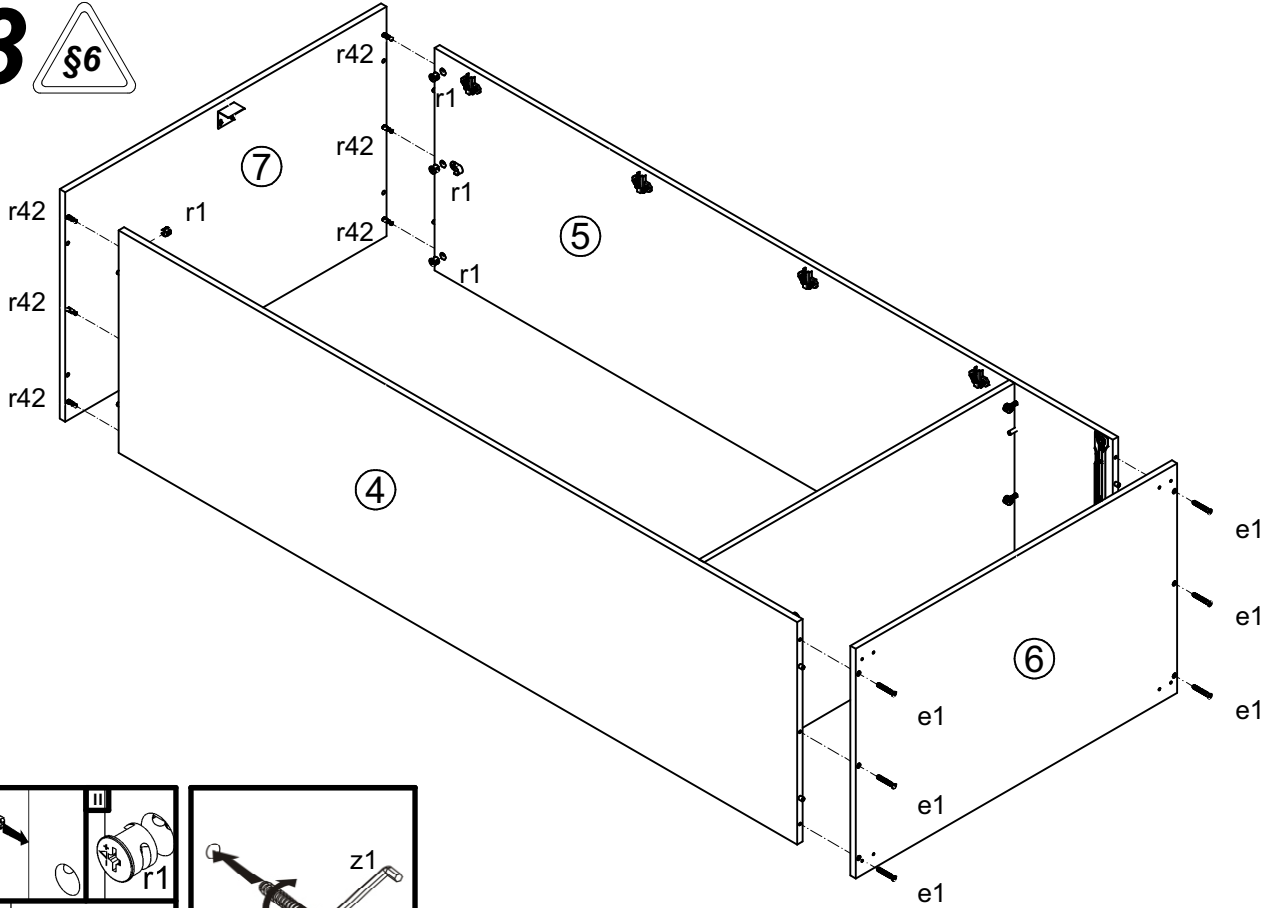
A	B	C	D
1	S383-00001	1626	446 3/4
2	S383-00002	1626	446 3/4
3	S383-00003	897	264 4/4
4	S383-11001	1904	540 1/4
5	S383-11002	1904	540 1/4
6	S383-22001	902	558 2/4
7	S383-22002	902	558 2/4
8	S383-33001	869	540 2/4
9	S383-99002	822	498 2/4
10	S383-99501	1931	447 1/4
11	ZP-5511	812	140 2/4
12	BP-507	500	140 2/4
13	BP-508	500	140 2/4
14	dr-863	863	22 2/4



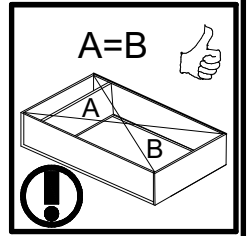
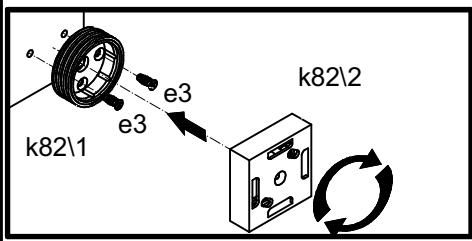
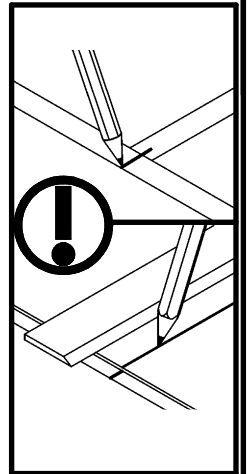
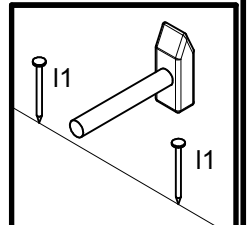
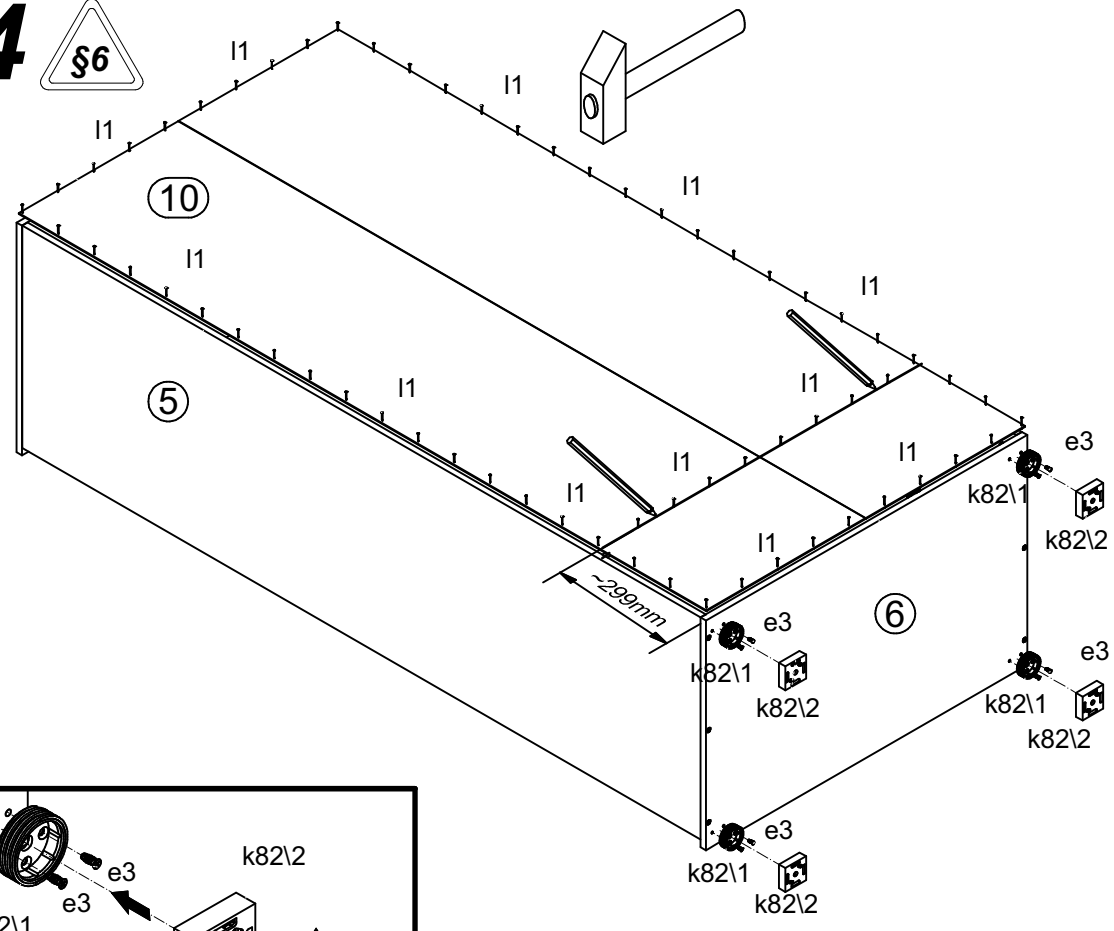
8x k0 a44	8x b19	3x 128mm c409	6x Ø7x50 mm e1	6x Ø5x9 mm e19	14x Ø6x13 mm e3	12x Ø8x30 mm f1	4x Ø6.5x40 mm f25	2x Ø6x30 mm f9
4x k82\1	4x k82\2	65x l1	2x h=22mm n1	1x 40x46x30/1.5 n25	6x silikon o21	2x Ø3.5x13 mm p1	2x Ø3.5x16 mm p25	2x Ø3.5x13 mm p27
6x Ø4x13 mm p93	16x Ø15x12 mm #16 r1	6x Ø16 s2	16x 20/11 r42	1x 483 mm t17	1x 500 mm w26\CL	1x 500 mm w26\CR	1x 500 mm w26\DL	16x Ø3.5x15 mm p51
1x 500 mm w26\DR	1x 4 mm z1						1x n26\1	1x Ø3.5x16 mm p38

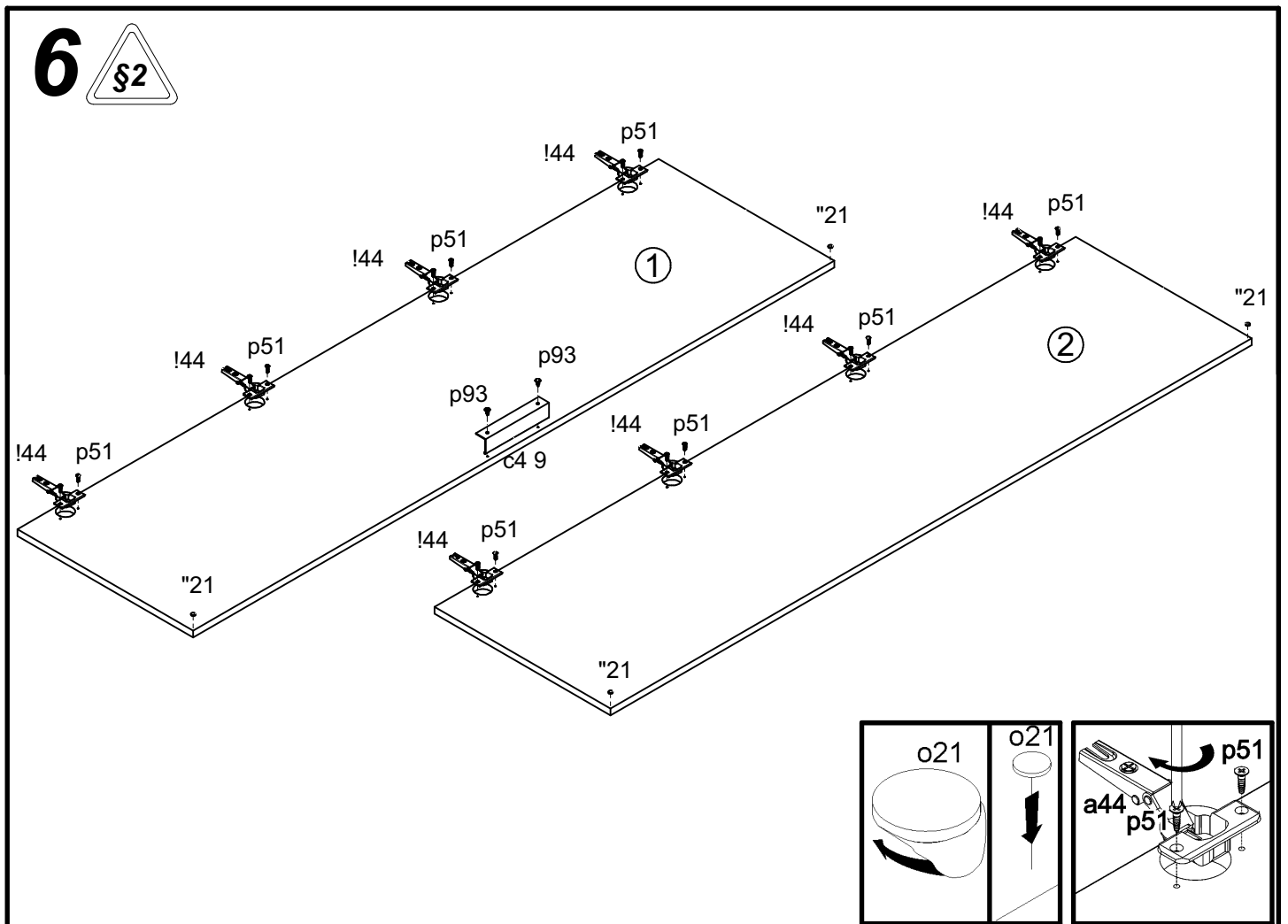
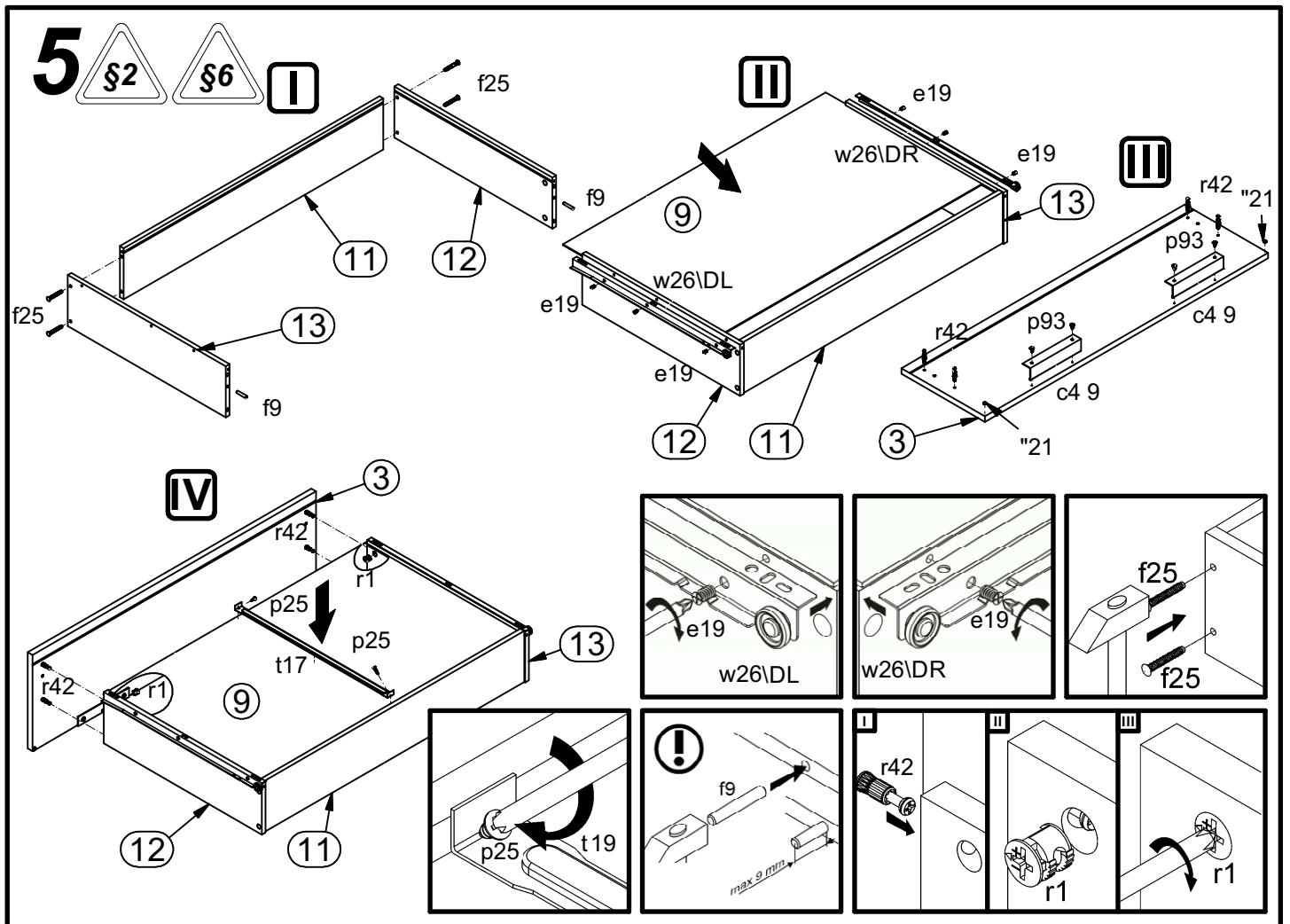


3



4





7

